

#### FEATURED MODEL

512746 Medium ( Horizontal Orientation), 10" bowl depth

#### FEATURES

- Required outside cabinet: 24"
- 18 gauge, 304 series stainless steel
- 18/10 chrome/nickel content
- Handcrafted from a single panel of stainless steel
- Zero radius corners
- Elegant and functional drain grooves
- Satin Polished Finish
- Sound deadening pads
- Rear drain placement

#### OPTIONAL ACCESSORIES

Stainless Steel Sink Grid: 221017

#### CODE/STANDARDS COMPLIANCE

ASME 112.19.3-00  
IAPMO/UPC listed

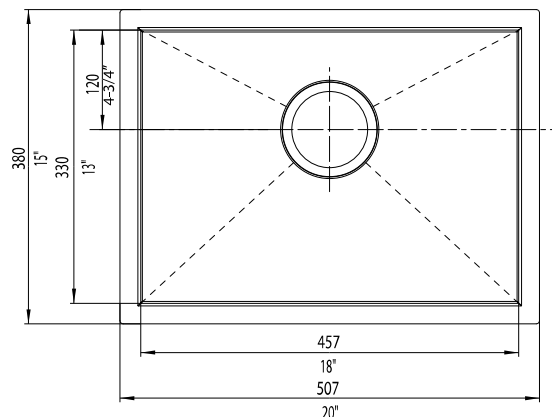


#### NOMINAL DIMENSIONS

Model 512746 shown

OVERALL	CUT OUT SIZE	BOWL DEPTH	DRAIN
20" x 15"	Template provided with approximate 1/8" reveal	10"	3-1/2"

DXF cutout templates available on our website.



#### WARRANTY

Blanco America's STEELART™ sinks feature a LIMITED LIFETIME WARRANTY to be free of all manufacturing defects under normal use. See our complete warranty for details.

While Blanco America endeavors to provide accurate information, all dimensions are nominal, cannot be guaranteed, and are subject to change or cancellation. Blanco America assumes no responsibility for use of superseded or voided specifications.

#### JOB INFORMATION

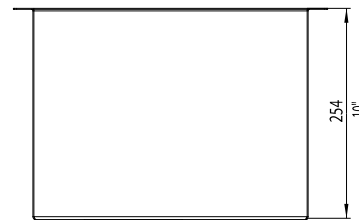
Job Name: \_\_\_\_\_

Contact: \_\_\_\_\_

Date Specified: \_\_\_\_\_

Specifier: \_\_\_\_\_

Contractor: \_\_\_\_\_



#### BLANCO AMERICA

800.451.5782

www.blancoamerica.com

© 2013 BLANCO AMERICA

7/13

SPEC-003